

Global Power Products

Ener-Comm RS485/232 Pulse Input Card Specification Sheet

- Supports RS485 or RS232
- Designed to receive pulse input
- Designed to maintain +1500VDC of Isolation between the signal and host board



Characteristics

Description	Symbol	Min	Typical	Max	Units
Current fro 5VDC	I_{DC5}	5	6	7	ma
Power	P	.025	.03	.035	W
Operating Temperature	T_{OPR}	-40	N/A	85	° C
DC Board Voltage	V_{DC}	4.75	5	5.25	V
Humidity Non-Condensing	H	0	N/A	95	%

Table 1.0 Electrical Characteristics

Connector Name	RefDes	Description
Serial Input Jack 1	J1	Phone Jack Serial Input
Connector Pin Definitions		
Pin Number	Pin Decription	Type
1	Isolated GND	Power
2	B or Tx	I/O
3	A or Rx	I/O
4	CTS	Output
5	RTS	Input
6	Isolated GND	Power

Table 1.1 Serial Input Jack 1

Connector Name	RefDes	Description
Serial Input Jack 2	J2	Phone Jack Serial Input
Connector Pin Definitions		
Pin Number	Pin Description	Type
1	Isolated GND	Power
2	B or Tx	I/O
3	A or Rx	I/O
4	CTS	Output
5	RTS	Input
6	Isolated GND	Power

Table 1.2 Serial Input Jack 2

Connector Name	RefDes	Description
Pulse Input	T4	Pulse Input Connector
Connector Pin Definitions		
Pin Number	Pin Description	Type
1	Isolated +5VDC	Power
2	Voltage Supply 1	Output/Power
3	Pulse Input 1	Input
4	Voltage Supply 2	Output/Power
5	Pulse Input 2	Input
6	Isolated GND	Power

Table 1.3 Pulse Input

Connector Name	RefDes	Description
Serial Connection	T5	Serial Connection Pins
Connector Pin Definitions		
Pin Number	Pin Description	Type
1	RxD1	INPUT
2	RxD2	INPUT
3	PTC3/CTS	OUTPUT
4	PTH1/CTS	INPUT
5	NC	N/A
6	TxD	OUTPUT
7	RxD	INPUT
8	GND	POWER
9	VCC	POWER

Table 1.4 Serial Connection

Connector Name	RefDes	Description
Signal I/O	J4	Signal I/O Pins
Connector Pin Definitions		
Pin Number	Pin Description	Type
1	GND	POWER
2	PTA7/MUX1	OUTPUT
3	GND	POWER
4	PTA0	OUTPUT
5	GND	POWER
6	PTC0	OUTPUT
7	GNS	POWER
8	PTC1	OUTPUT
9	GND	POWER
10	PTC3	OUTPUT

Table 1.5 Signal I/O

Switch Name	Address	Value	Activation Type	Type Data/Type
SW1-1	1	1	Toggle	2s Complement
SW1-2	2	2	Toggle	2s Complement
SW1-3	4	4	Toggle	2s Complement
SW1-4	8	8	Toggle	2s Complement
SW1-5	16	16	Toggle	2s Complement
SW1-6	32	32	Toggle	2s Complement
SW1-7	64	64	Toggle	2s Complement
SW1-8	128	128	Toggle	2s Complement
SW1-9	1200	N/A	Toggle	Baud Rate
SW1-10	2400	N/A	Toggle	Baud Rate
SW1-11	4800	N/A	Toggle	Baud Rate
SW1-12	9600	N/A	Toggle	Baud Rate

Table 1.6 Switches

Block Diagram

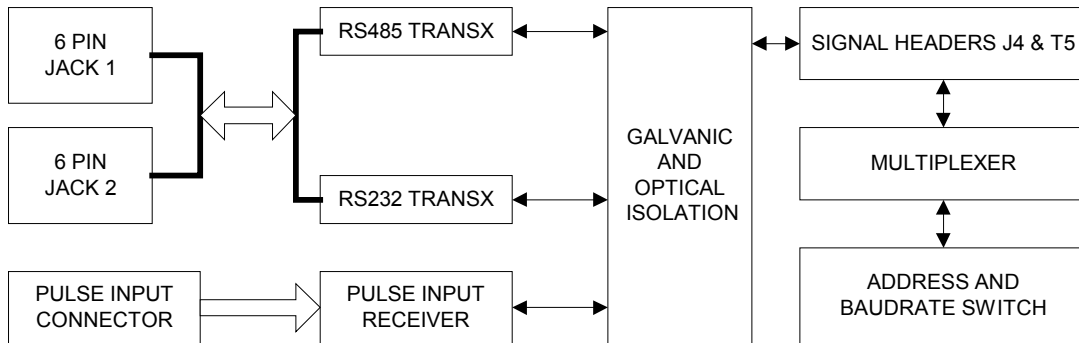


Table 1.7 Block Diagram

Board View and Dimensions

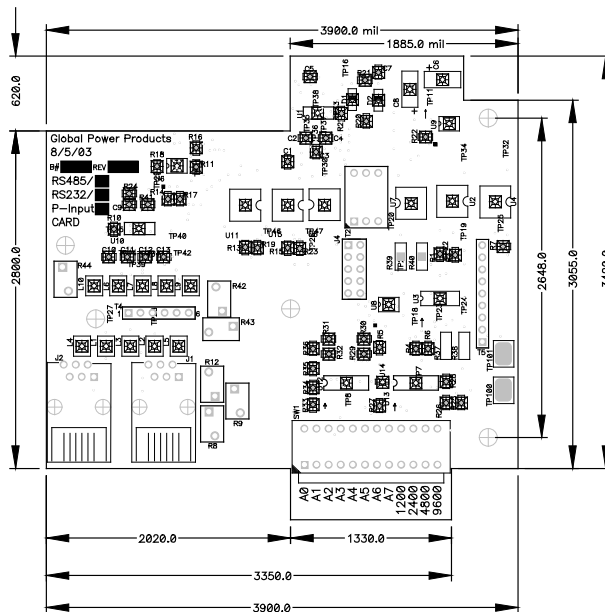


Table 1.8 Board Outline