

# New Era Meter

Smart Revenue-Grade Electric Meter

## Surface Mount Model

The NE Meter is a true RMS electric meter that uses cutting-edge communication technology to automatically deliver its readings to our cloud database.

Use our NE Manager website or free smartphone app to **view the meter data from anywhere in the world**. Protected by a NEMA 4X-rated enclosure, the NE Meter is suited for a multitude of metering applications and makes manual readings a thing of the past!

## Communication Options:

- LTE Cat M1 (Connected by AT&T)
- Wi-Fi
- Ethernet
- 900 MHz Radio Frequency
- Modbus-RTU
- BACnet-MSTP

## Optional Features:

- Remote demand reset
- 2 pulse inputs (Dry or Wet)
- Time of Use
- On-board mass memory
- KYZ pulse output
- Demand Profiling



Connected By  **AT&T**



## LTE Cat M1 Technology:

Our newest communication option allows the NE meter to automatically connect to any AT&T cellular tower with **ZERO IT REQUIRED**. Simply power on the NE meter and view the data online.



NE Meter with Cat M1

AT&T Cell Tower

# Specifications

## Operating Range:

Voltage: 96-528 Volts (absolute)  
 Current: 100 - 5000 Amp Transformers  
 Frequency: 47Hz to 63Hz  
 Temperature: -40° C to +85° C  
 Humidity: 0 to 95% non-condensing

## Acceptable Services:

3 Phase 4 Wire Wye/Delta  
 3 Phase 3 Wire Delta  
 1 Phase 2 Wire or 3 Wire

## Accuracy:

	Unity Power Factor	50% Power Factor
Test Amps/30	0.2%	0.5%
Test Amps	0.1%	0.4%

## Burdens:

Current Circuit:	Phase A, B, C	1VA max
Voltage Circuit:	Phase A	8.6VA max
Power Circuit:	Phase B & C	0.24 VA max.

## Insulation, Surge Protection and Performance:

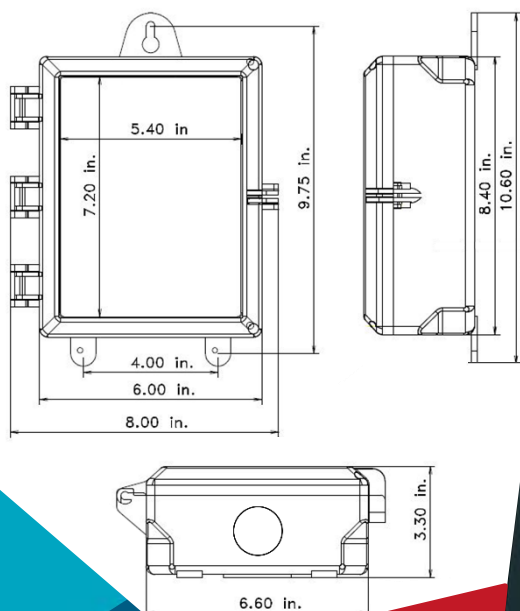
Conforms to ANSI C12.20  
 ANSI / IEEE C37.90.1 - 1989  
 IEC 801-4 (4kV) 1988  
 FCC Part 15 and FCC 68

## Accessing Your Data:

View the entire history of your electric meter from anywhere in the world by logging in to the NE Manager website or smartphone app. Organize meters into groups, export data for monthly billing, and perform remote demand resets all without leaving your desk. Visit [nemeter.com/login](http://nemeter.com/login) or download the NE App to see how it works!



## Dimensions:



## Models:

	NE-5000	NE-5100	NE-5200	NE-5300
kWh	X	X	X	X
kW		X	X	X
TOU			X	X
kVA or kVAR				X
PF				X



**Global Power**  
Products

225 Arnold Road  
 Lawrenceville, GA 30044  
[www.globalpowerproducts.com](http://www.globalpowerproducts.com)  
 Call: (800) 886-3837